

Serie Indus

The new cabinet



barpa

IP55 INDOOR RAL7035

Application in warehouses, factories,
where they are harsh environments but with no
direct rain or external usage.





Floor Cabinet

42U
800x800x2145



Wall Cabinet

18U
600x450x902
600x600x902



Wall Cabinet

12U
600x450x635
600x600x635



COMPLIES WITH
EN60529

WELDED
FRAME

PACKED
MOUNTED

1000KG
STATIC LOAD



Page 1 of 9

Report No.: PL201105007-L01

IP55 TEST REPORT

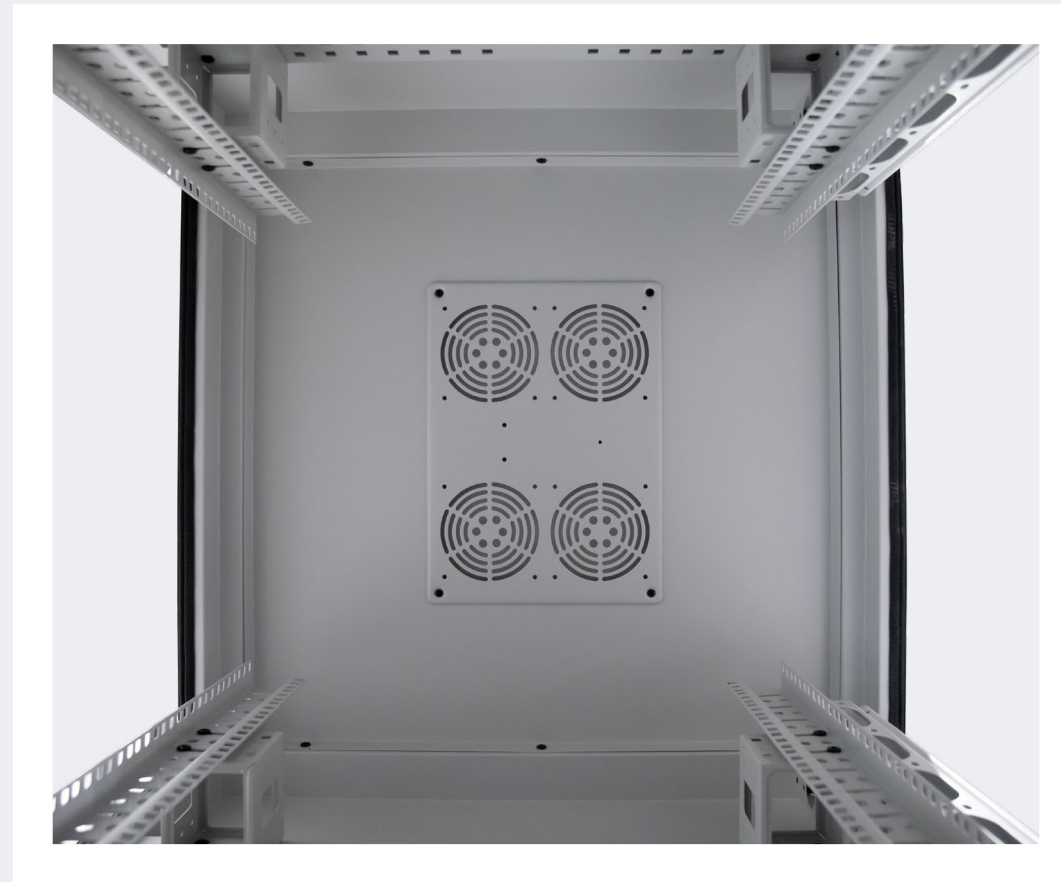
Applicant.....: Argon-Componentes Eléctricos e Electrónicos Lda (under the name of barpa)
Address.....: Rua Noé Pereira, 473
Sample Name.....: IP Rated cabinets
Model Name.....: IP5X/FF55 cabinet series
Brand Name.....: barpa
Service Requested.....: Perform the IP55 test as customer's requirement
Date of Report.....: Nov 10, 2020
Date of Tested.....: June 18, 2019 to June 19, 2019

TESTING LABORATORY.....: Shenzhen Pinliang Testing Technology Co., Ltd.
ADDRESS.....: Room 203, 2/F., Huafeng Xin'an Commercial Building,
Zone 45, Xin'an Street, Bao'an District, Shenzhen,
Guangdong, China

	Name	Signature	Date
Testing Engineer	Sam Tan		2020.11.10
Approving Manager	Tony Chen		2020.11.10

Notes:

1. This report will be invalid if duplicated or photocopied in part.
2. This report refers only to the specimen(s) submitted to test, and is invalid as separately used.
3. This report is invalid without examination stamp and signature of this company.
4. The tested specimen(s) will be preserved for thirty days from the date issued, if not taken back by the applicant.



1 TOP VIEW



2 CABLE MANAGEMENT BAR



3 DOOR LOCK



4 PLINTH WITH HOLES FOR VENTILATION





5 GASKETED DOORS



6 DOOR OPEN 140 DEGREES



7.1 BOTTOM VIEW

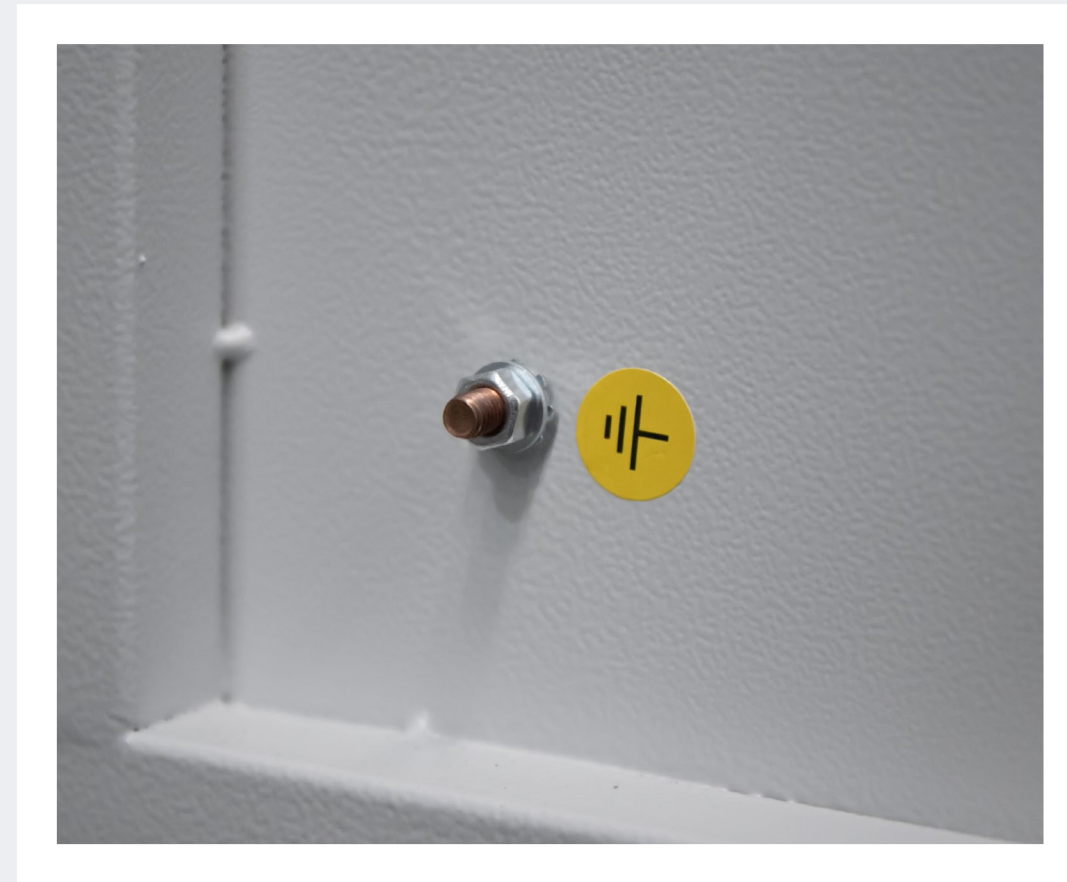


7.2 BOTTOM VIEW





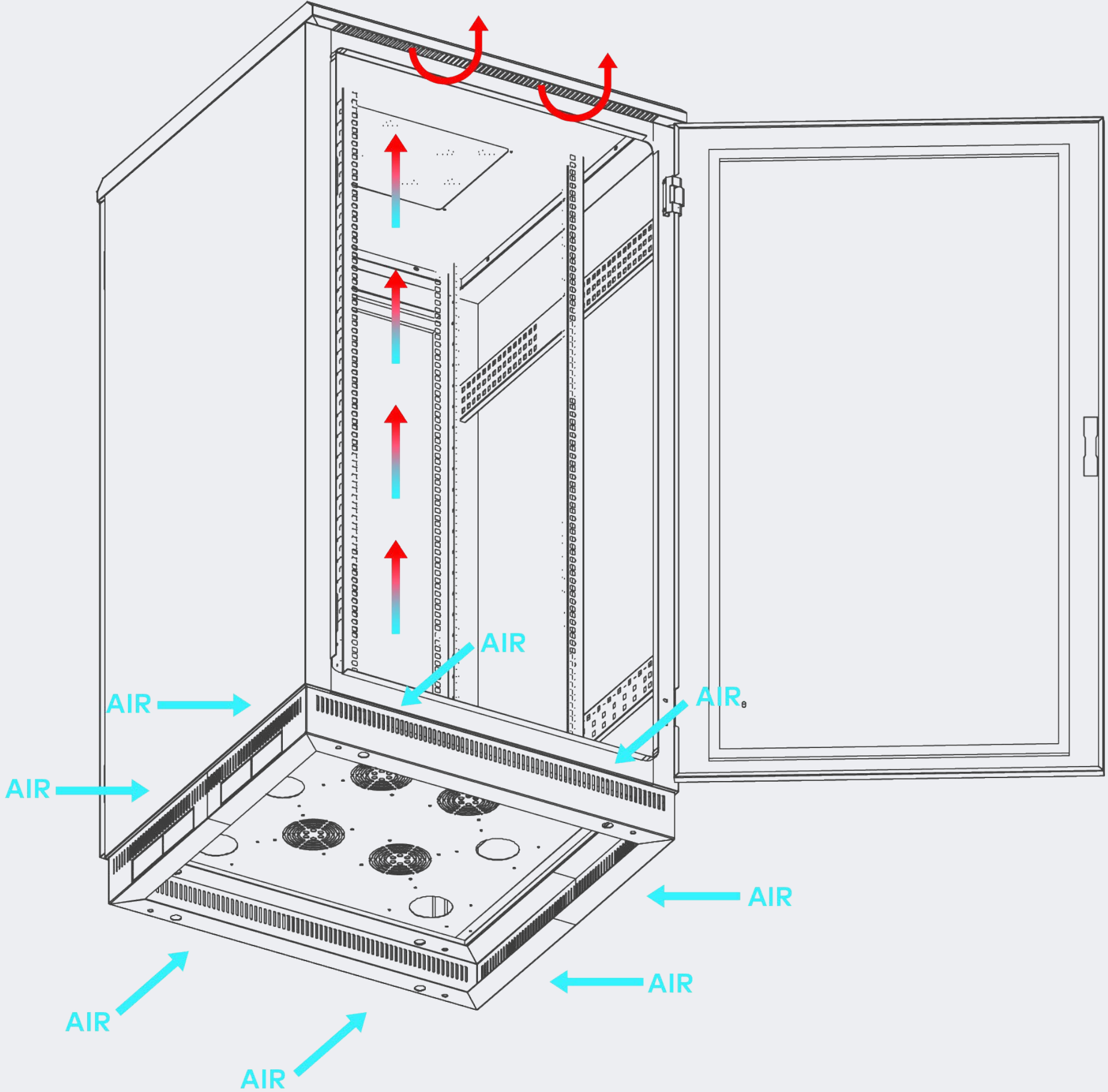
8 HOLES FOR WATER CONDENSATION



9 EARTH CONECTION



10 PASSIVE VENTILATION



PACKAGING



CODE	U	WIDTH (mm)	LENGTH (mm)	HEIGHT MOUNTED (mm)	WEIGHT (kg)	EAN
82343420808	42	800	800	2145	138	5608445032515

* Available in more dimensions upon request.



COMPLIES WITH
EN60529

WELDED
FRAME

PACKED
MOUNTED

100KG
STATIC LOAD



Page 1 of 9

Report No.: PL201105007-L01

IP55 TEST REPORT

Applicant.....: Argon-Componentes Eléctricos e Electrónicos Lda (under the name of barpa)
 Address.....: Rua Noé Pereira, 473
 Sample Name.....: IP Rated cabinets
 Model Name.....: IP5X/FF55 cabinet series
 Brand Name.....: barpa
 Service Requested.....: Perform the IP55 test as customer's requirement
 Date of Report.....: Nov 10, 2020
 Date of Tested.....: June 18, 2019 to June 19, 2019

TESTING LABORATORY.....: Shenzhen Pinliang Testing Technology Co., Ltd.
 ADDRESS.....: Room 203, 2/F., Huafeng Xin'an Commercial Building,
 Zone 45, Xin'an Street, Bao'an District, Shenzhen,
 Guangdong, China

	Name	Signature	Date
Testing Engineer	Sam Tan		2020.11.10
Approving Manager	Tony Chen		2020.11.10

Notes:

1. This report will be invalid if duplicated or photocopied in part.
2. This report refers only to the specimen(s) submitted to test, and is invalid as separately used.
3. This report is invalid without examination stamp and signature of this company.
4. The tested specimen(s) will be preserved for thirty days from the date issued, if not taken back by the applicant.



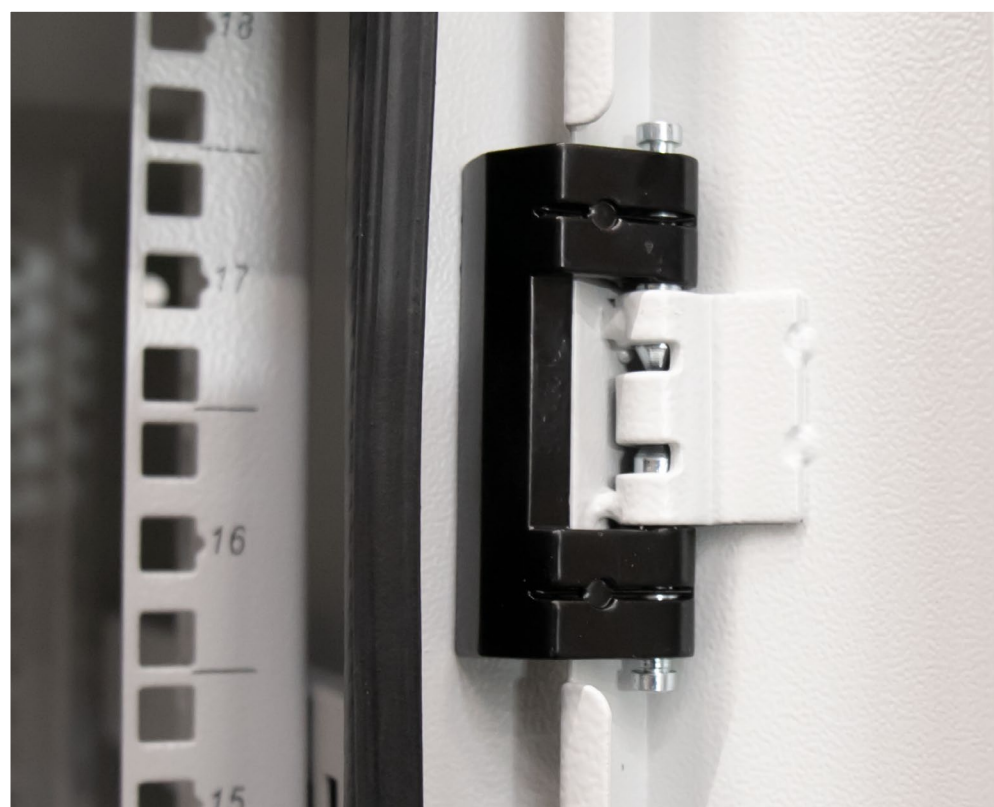
1 PREPARED TO MOUNT ON WALL



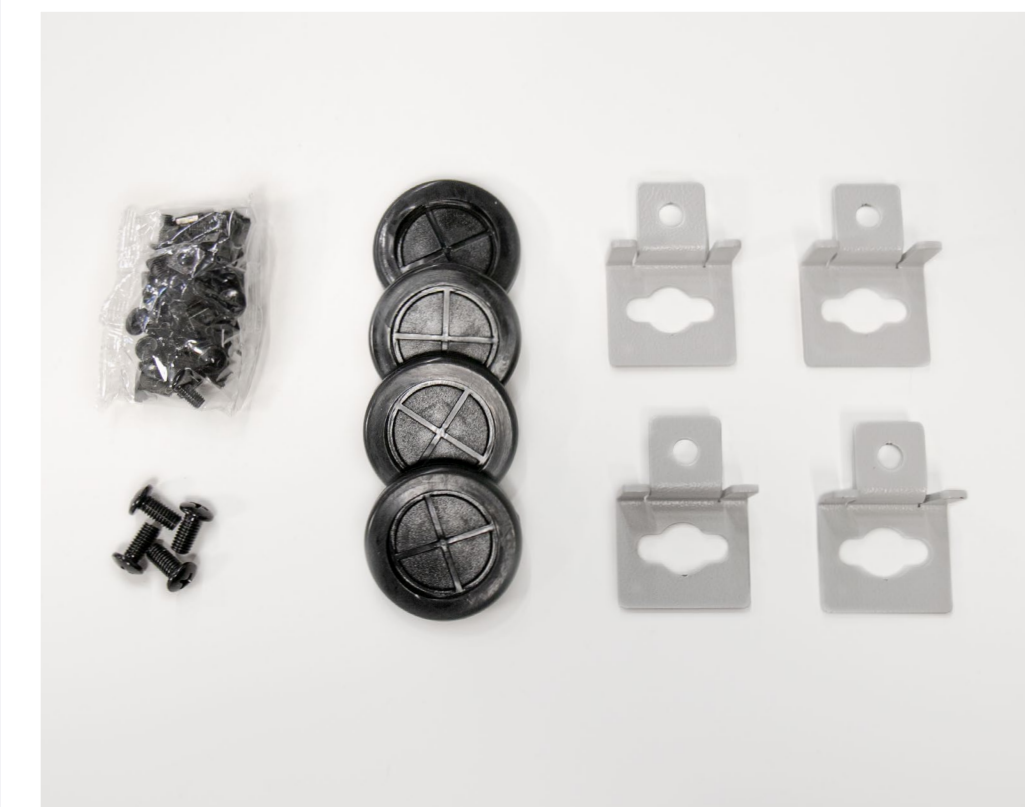
2 TOP VIEW
(POSSIBILITY TO INSTALL FANS)



3 SIDE PANELS
(ON FRONT AND REAR)



4 ROBUST HINGES



5 AVAILABLE ACCESSORIES



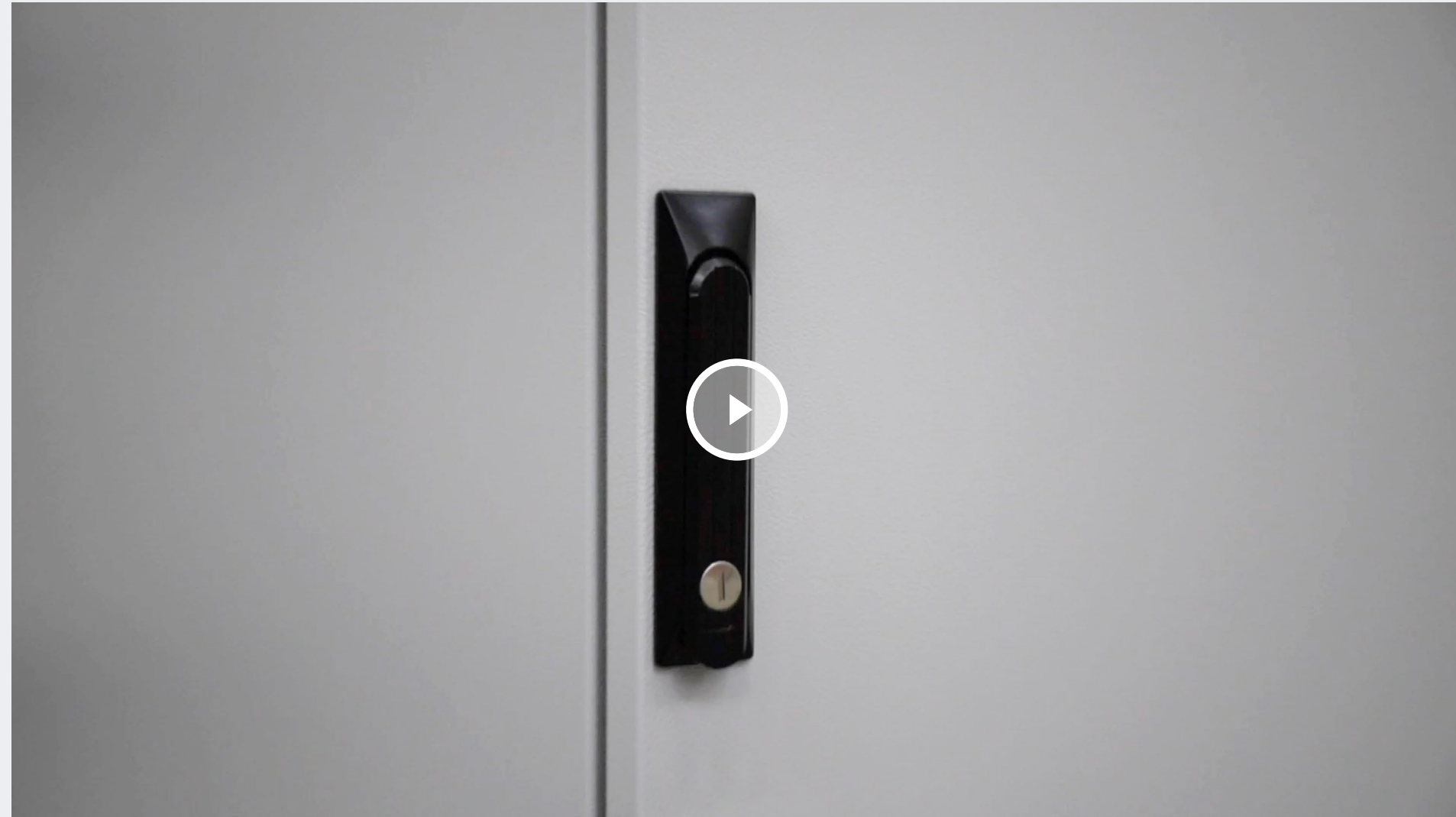
6 HOLES FOR WATER CONDENSATION.
HOLES TO OPEN TO INSTALL CABLES.

PACKAGING



CODE	U	WIDTH (mm)	LENGTH (mm)	HEIGHT MOUNTED (mm)	WEIGHT (kg)	EAN
82323120604	12	600	450	635	24	5608445032478
82323120606	12	600	600	635	28	5608445032485
82323180604	18	600	450	902	31	5608445032492
82323180606	18	600	600	902	36	5608445032508

* Available in more dimensions upon request



barpa

barpa