

# Serie Indus

El nuevo rack



barpa



# IP55 INTERIOR RAL7035

Para aplicaciones en almacenes, fábricas y  
en ambientes hostiles sin lluvia directa  
y para uso en el interior.







## Rack de Pie

42U  
800x800x2145



## Rack Mural

18U  
600x450x902  
600x600x902



## Rack Mural

12U  
600x450x635  
600x600x635





CUMPLE CON  
EN60529

BASTIDOR  
SOLDADO

SE SIRVE  
MONTADO

CARGA ESTÁTICA  
1000 KG



Page 1 of 9

Report No.: PL201105007-L01

### IP55 TEST REPORT

Applicant.....: Argon-Componentes Eléctricos e Electrónicos Lda (under the name of barpa)  
Address.....: Rua Noé Pereira, 473  
Sample Name.....: IP Rated cabinets  
Model Name.....: IP5X/FF55 cabinet series  
Brand Name.....: barpa  
Service Requested.....: Perform the IP55 test as customer's requirement  
Date of Report.....: Nov 10, 2020  
Date of Tested.....: June 18, 2019 to June 19, 2019

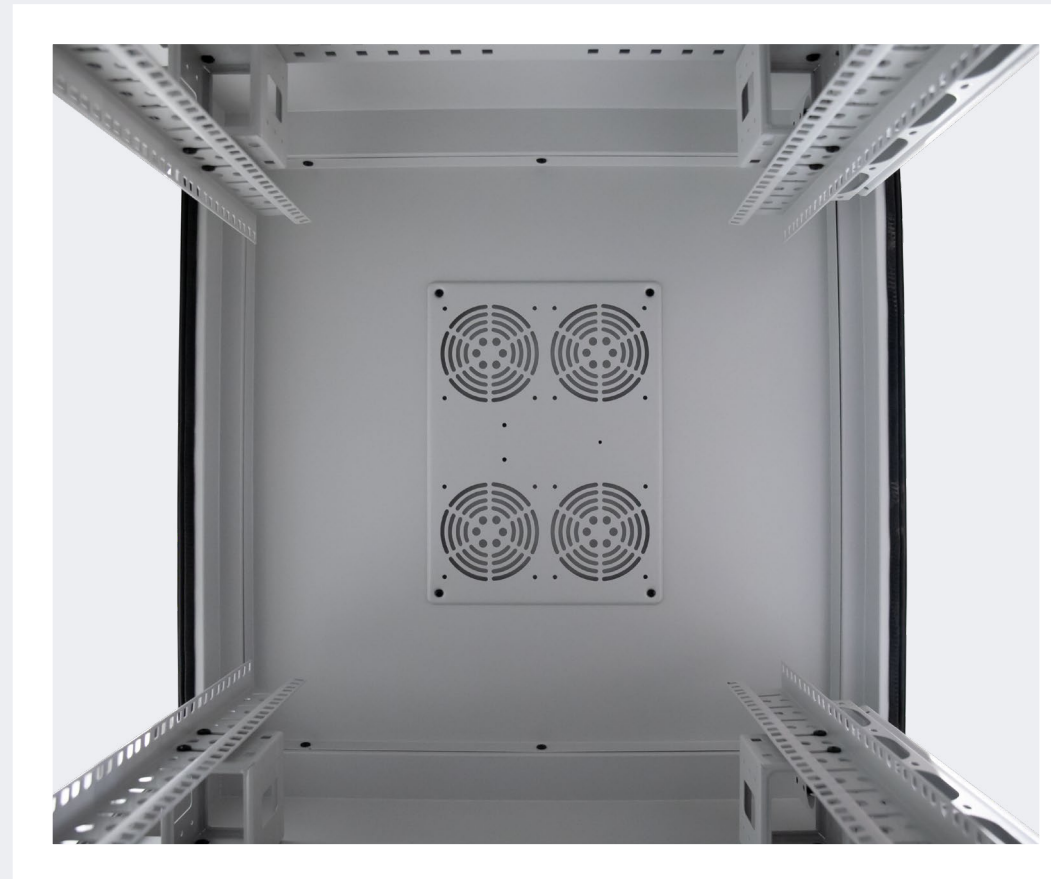
TESTING LABORATORY.....: Shenzhen Pinliang Testing Technology Co., Ltd.  
ADDRESS.....: Room 203, 2/F., Huafeng Xin'an Commercial Building,  
Zone 45, Xin'an Street, Bao'an District, Shenzhen,  
Guangdong, China

	Name	Signature	Date
Testing Engineer	Sam Tan		2020.11.10
Approving Manager	Tony Chen		2020.11.10

#### Notes:

1. This report will be invalid if duplicated or photocopied in part.
2. This report refers only to the specimen(s) submitted to test, and is invalid as separately used.
3. This report is invalid without examination stamp and signature of this company.
4. The tested specimen(s) will be preserved for thirty days from the date issued, if not taken back by the applicant.

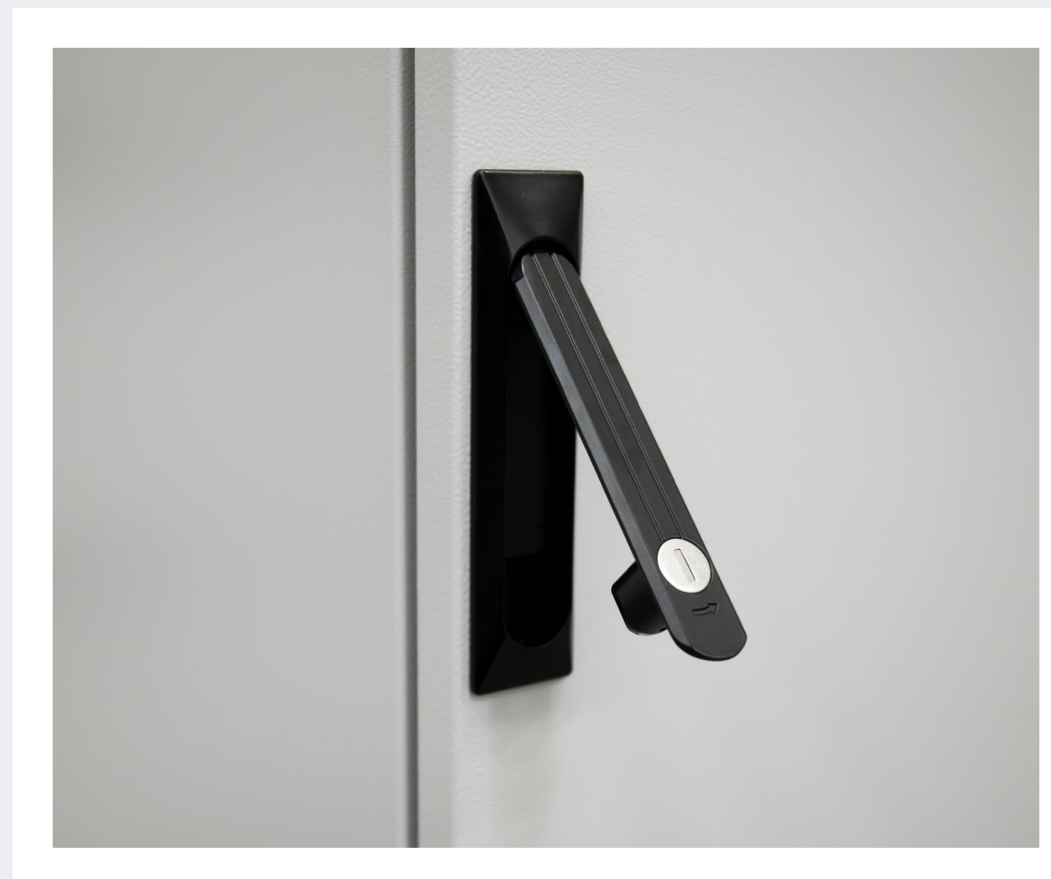




1 VISIÓN SUPERIOR



2 GUÍA-CABLES VERTICAL



3 CERRADURA DE LA PUERTA



4 PEDESTAL RANURADO PARA LA VENTILACIÓN







5 PUERTA CON JUNTAS



6 APERTURA DE PUERTA HASTA 140 GRADOS



7.1 VISIÓN INFERIOR



7.2 VISIÓN INFERIOR







8 APERTURAS PARA LA  
CONDENSACIÓN DE AGUA

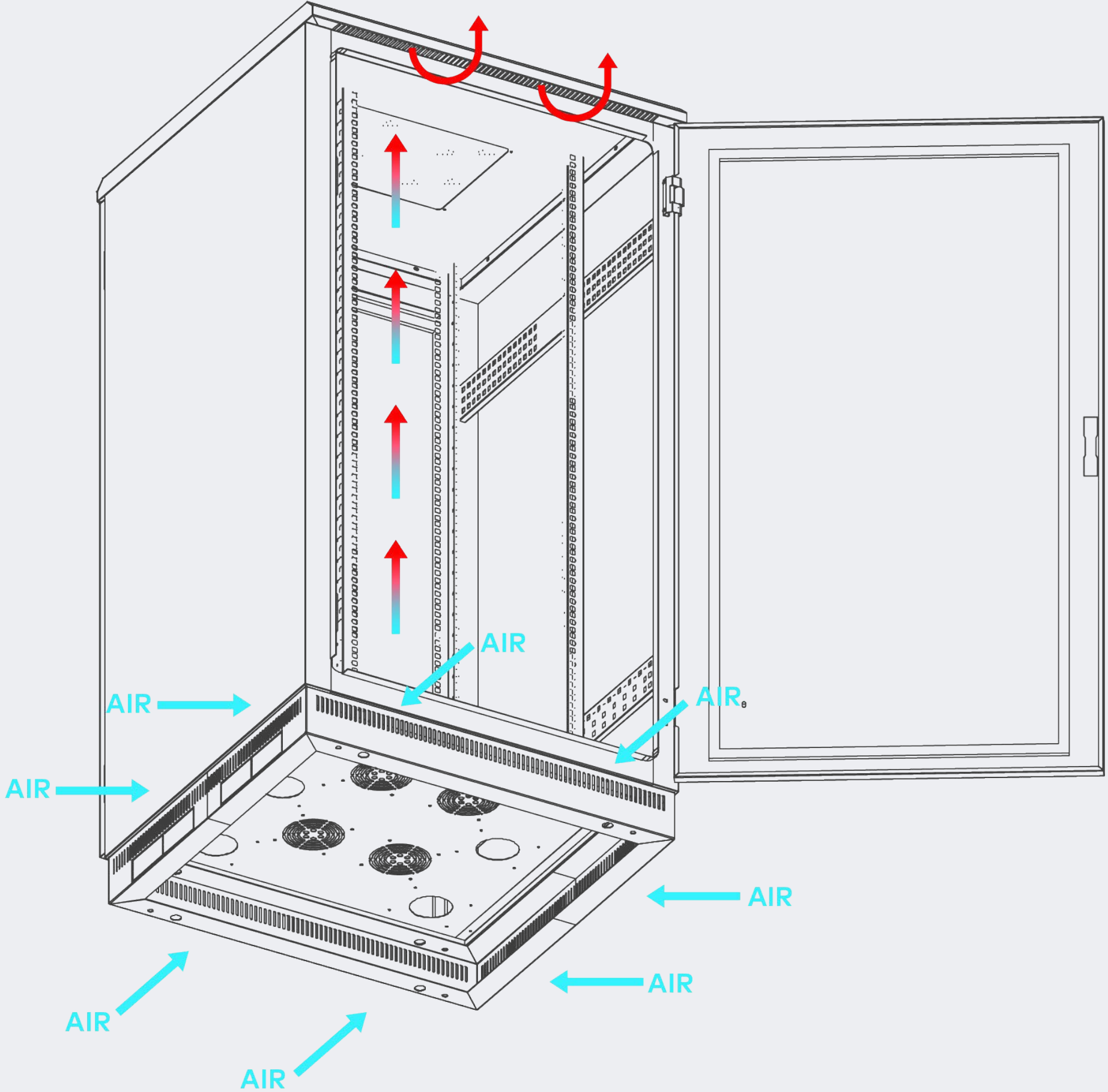


9 TOMA DE TIERRA





10 VENTILACIÓN PASIVA



10



# EMBALAJE





CÓDIGO	U	ANCHO (mm)	FONDO (mm)	ALTURA MONTADA (mm)	PESO (kg)	EAN
82343420808	42	800	800	2145	138	5608445032515

\* Disponible en más dimensiones bajo demanda.



CUMPLE CON  
EN60529

BASTIDOR  
SOLDADO

SE SIRVE  
MONTADO

CARGA ESTÁTICA  
100 KG



Page 1 of 9

Report No.: PL201105007-L01

### IP55 TEST REPORT

Applicant.....: Argon-Componentes Eléctricos e Electrónicos Lda (under the name of barpa)  
Address.....: Rua Noé Pereira, 473  
Sample Name.....: IP Rated cabinets  
Model Name.....: IP5X/FF55 cabinet series  
Brand Name.....: barpa  
Service Requested.....: Perform the IP55 test as customer's requirement  
Date of Report.....: Nov 10, 2020  
Date of Tested.....: June 18, 2019 to June 19, 2019

TESTING LABORATORY.....: Shenzhen Pinliang Testing Technology Co., Ltd.  
ADDRESS.....: Room 203, 2/F., Huafeng Xin'an Commercial Building,  
Zone 45, Xin'an Street, Bao'an District, Shenzhen,  
Guangdong, China

	Name	Signature	Date
Testing Engineer	Sam Tan		2020.11.10
Approving Manager	Tony Chen		2020.11.10

#### Notes:

1. This report will be invalid if duplicated or photocopied in part.
2. This report refers only to the specimen(s) submitted to test, and is invalid as separately used.
3. This report is invalid without examination stamp and signature of this company.
4. The tested specimen(s) will be preserved for thirty days from the date issued, if not taken back by the applicant.





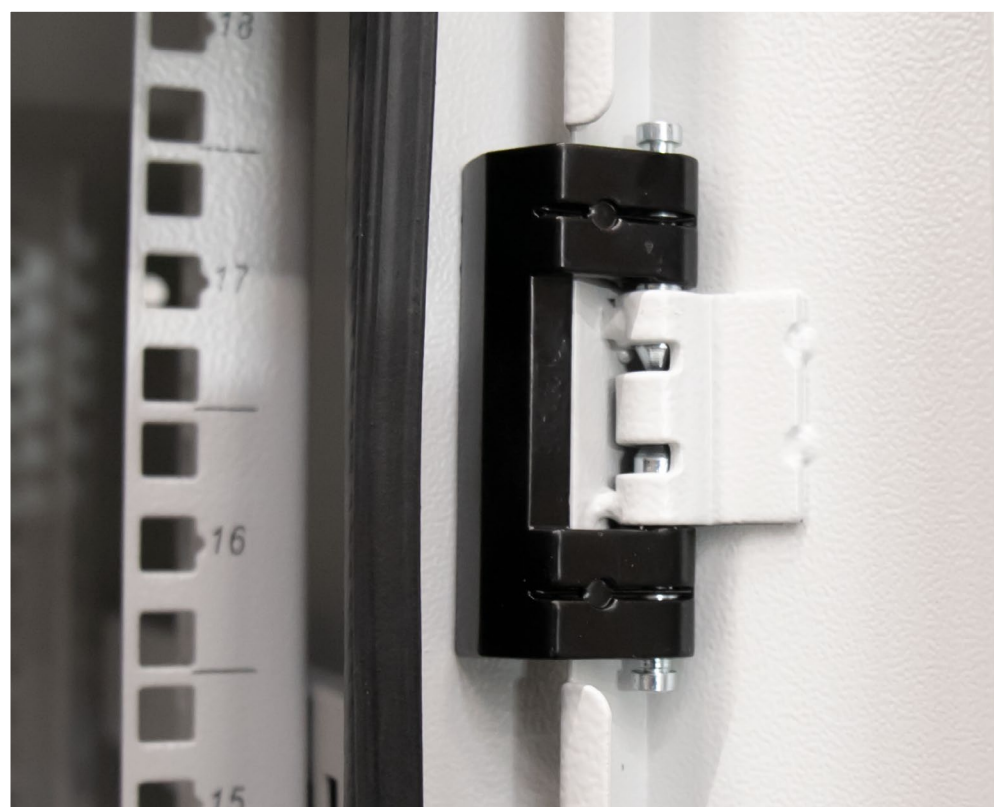
**1** PERPARADO PARA MONTAJE MURAL



**2** VISIÓN SUPERIOR  
(POSIBILIDAD DE MONTAR VENTILADORES)



**3** MONTANTES  
(EN PARTE DELANTERA Y TRASERA)



**4** BISAGRAS ROBUSTAS



**5** ACCESORIOS DISPONIBLES



**6** APERTURAS PARA CONDENSACIÓN DE AGUA  
APERTURAS PARA ENTRADA DE CABLES







CÓDIGO	U	ANCHO (mm)	FONDO (mm)	ALTURA MONTADO (mm)	PESO (kg)	EAN
82323120604	12	600	450	635	24	5608445032478
82323120606	12	600	600	635	28	5608445032485
82323180604	18	600	450	902	31	5608445032492
82323180606	18	600	600	902	36	5608445032508

\* Disponible en otras medidas bajo demanda.



barpa



barpa